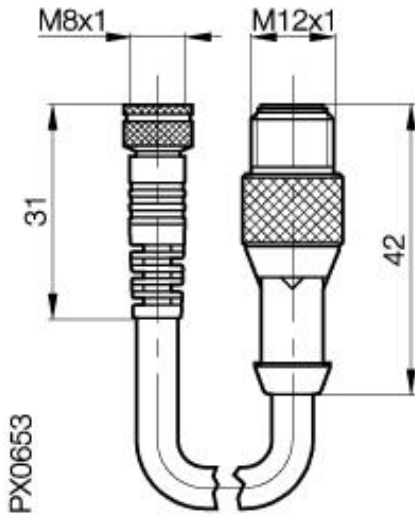


Accessories: Connectors BKS-B 48-1-GS49-



Common Data

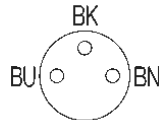
Version	Connection cable, straight, 3-pins, NO or NC
Usable with	on Sensors with connection S49 (NC, M8)
Ambient temperature	-25°C...+85°C

Mechanical Data

Material	PVC / PUR
Protection class per IEC 60529	IP67
Cable version	molded-on
Conductor cross section	3x0,25

Electrical Data

Supply voltage	10...30 V DC
----------------	--------------



Datasheet number::

Definitions see general catalog.
If not otherwise noted, ratings according to
IEC 60947-5-2 (DIN EN60947-5-2)

Balluff GmbH
Schurwaldstrasse 9
73765 Neuhausen a.d.F.
Phone (07158) 173-0 Fax (07158) 5010

Datenblatt by CD-ROM - 04/2007

BALLUFF
sensors worldwide